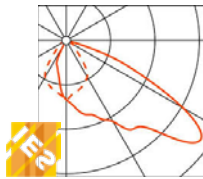
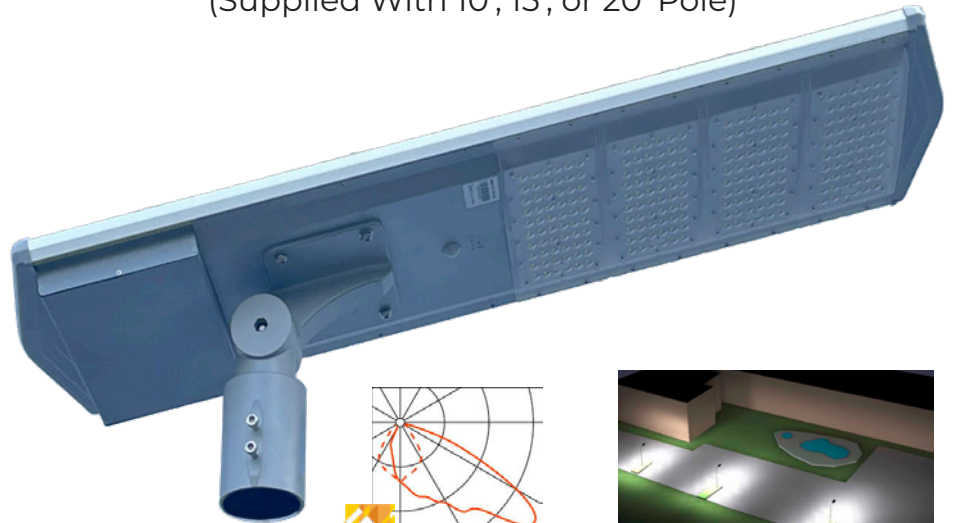




SL41

SL41 Solar 60W/80W/100W
(Supplied With 10', 15', or 20' Pole)



IES and lighting distribution data available for 40W, 60W, 80W & 100W Models.



Complete 3D lighting renderings available for your application.

This compact, integrated, all-in-one, solar area light fixture is available in a choice of three different versions (60W, 80W, or 100W LED power). It's also available with a choice of pole heights (10', 15', or 20') plus custom heights by special order. This fixture offers three different pre-programmed modes which can be selected using the IR remote control (supplied). This fixture contains an integrated solar panel mounted discretely on the upper side and several powerful LED modules and a motion sensor on the underside. This fixture simply attaches to the top of the pole or to the side (using an optional support arm).



Worldwide*
Shipping

Lowest Price*
Guarantee

Lifetime*
Tech Support

24 Month*
Product Warranty

No Hassle*
Returns

9120 Centerlinks Commerce Dr - Ste 3 • Fort Myers • FL • 33912 • USA • Phone: 239-461-5522 • Fax: 239-337-7887

MONDAY - FRIDAY 8:00AM - 8:00PM (US EASTERN TIME)

www.solarilluminations.com • sales@solarilluminations.com

*SUBJECT TO OUR TERMS & CONDITIONS, AND RETURNS POLICY



SL41

SL41 Solar 60W/80W/100W
(Supplied With 10', 15', or 20' Pole)



LUMINAIRE

- Three different operation modes can be selected
- Timed mode – Offers automatic illumination at dusk at 100%, 70%, or 50% output.
- Motion sensor mode – Offers automatic illumination at dusk upon motion detection at either 100%, 70%, or 50% output.
- Mixed mode – Offers automatic illumination at dusk for up to 6 hours at 100%, 70%, or 50% output, then off, except upon motion detection until dawn at 100%, 70%, or 50% output.
- Select the required operating mode by using the IR remote control (included)
- 60 Watt version emits 6,500 lumens (at 100% output)
- 80 Watt version emits 8,500 lumens (at 100% output)
- 100 Watt version emits 10,500 lumens (at 100% output)
- 5,500~6,000k LED color temperature
- Aluminum construction
- IP65 weather rating
- 60 Watt dimensions approx. 38" x 14" x 4" (96cm x 35cm x 10cm)
- 80 Watt dimensions aprox. 44" x 14" x 4" (112cm x 35cm x 10cm)
- 100 Watt dimensions aprox. 50" x 14" x 4" (127cm x 35cm x 10cm)
- Gray / aluminum finish

SOLAR PANEL

- 60 Watt version is fitted with a 18V 64 Watt solar panel
- 80 Watt version is fitted with a 18V 85 Watt solar panel
- 100 Watt version is fitted with a 18V 102 Watt solar panel
- Glass covered solar panel is integrated into the upper side of the fixture

BATTERY

- Lithium battery pack pre-installed within the fixture
- 60 Watt is supplied with a 12.8 V 302 Watt-hour battery
- 80 Watt is supplied with a 12.8V 403 Watt-hour battery
- 100 Watt is supplied with a 12.8V 502 Watt-hour battery
- The long life battery is replaceable when required

Worldwide*
Shipping ✓

Lowest Price*
Guarantee ✓

Lifetime*
Tech Support ✓

24 Month*
Product Warranty ✓

No Hassle*
Returns ✓

9120 Centerlinks Commerce Dr - Ste 3 • Fort Myers • FL • 33912 • USA • Phone: 239-461-5522 • Fax: 239-337-7887

MONDAY - FRIDAY 8:00AM - 8:00PM (US EASTERN TIME)

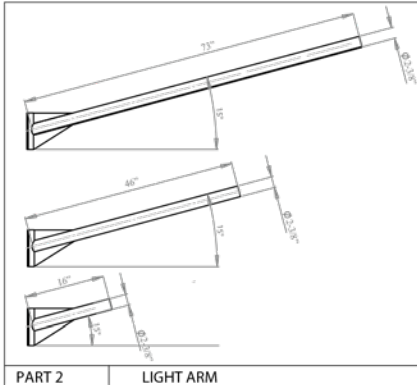
www.solarilluminations.com • sales@solarilluminations.com

*SUBJECT TO OUR TERMS & CONDITIONS, AND RETURNS POLICY



SL41

SL41 Solar 60W/80W/100W
(Supplied With 10', 15', or 20' Pole)

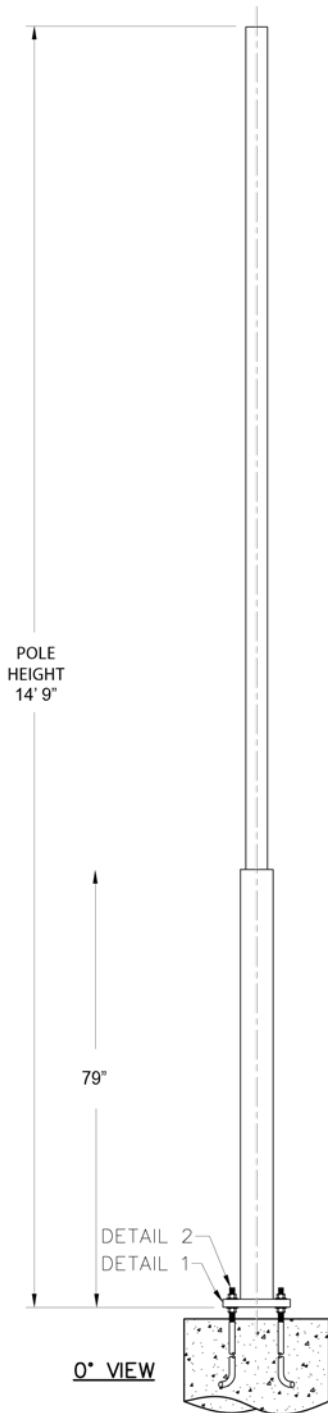


MATERIAL DATA	
COMPONENT	ASTM
POLE SHAFT	A595 GR. A
BASE PLATE	A36
ANCHOR BOLTS	F1554 GR. 36
MISC. STEEL	A563 GR. B

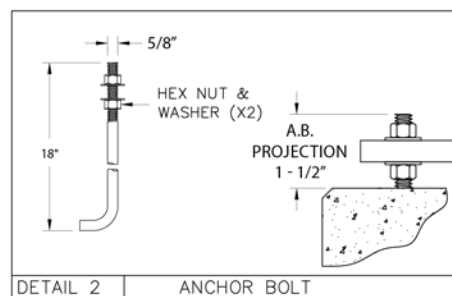
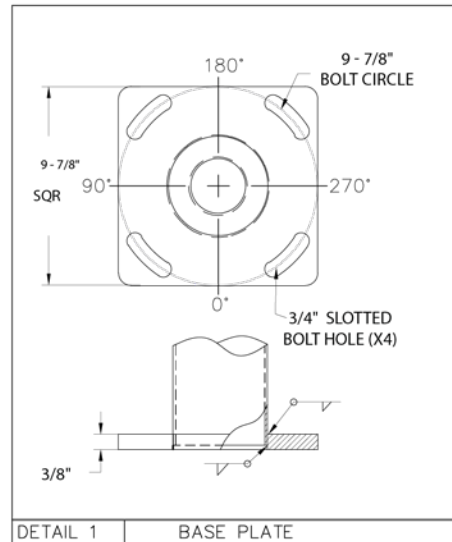
LOADING DATA	
DESIGN CRITERIA:	COMMERCIAL STANDARD
WIND SPEED (MPH) 1.3 GUST	80 90 100 110 120 130 140 150
EPA FT2	12.5 11.3 10.4 9.9 9.3 8.9 8.6 8.4
WIND FORCE (LBS)	125 146 163 183 213 252 294 340

POLE DIMENSION DATA				
POLE LENGTH (FT)	BASE DIAMETER (IN)	TOP DIAMETER (IN)	GAUGE OR THICKNESS (IN)	WEIGHT (LBS)
14' 9"	4 - 1/2"	3	12-GA (1/8")	75

Solar illuminations poles are engineered according to AASHTO standards and accepted commercial criteria. Proper selection for an application is based on information such as EPA, wind zone, mounting height, and product attachments. This information is necessary to ensure correct engineering. Solar illuminations assumes no responsibility for proper loading analysis and/or product selections. Design information and selection guidance offered by solar illuminations customer support representatives is provided as general guidelines only. The customer remains solely responsible for proper selection of the light pole, luminaire, and/or related accessories that adhere to all applicable requirements, including (but not limited to) epa design criteria, job specifications, and engineering requirements. To ensure proper selection of the light pole, luminaire, accessories and/or foundation, solar illuminations recommends the customer consult a qualified engineer to analyze the loading and design criteria for the specific application.



15' Standard Light Pole Steel Galvanized / Painted Anchor Base



Worldwide*
Shipping

Lowest Price*
Guarantee

Lifetime*
Tech Support

24 Month*
Product Warranty

No Hassle*
Returns

9120 Centerlinks Commerce Dr - Ste 3 • Fort Myers • FL • 33912 • USA • Phone: 239-461-5522 • Fax: 239-337-7887

MONDAY - FRIDAY 8:00AM - 8:00PM (US EASTERN TIME)

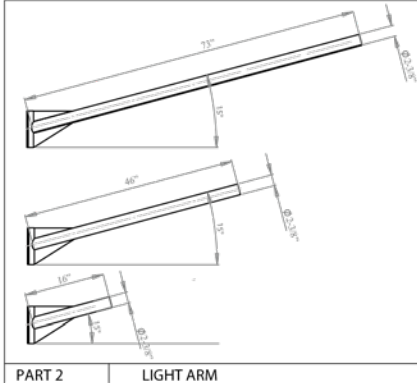
www.solarilluminations.com • sales@solarilluminations.com

*SUBJECT TO OUR TERMS & CONDITIONS, AND RETURNS POLICY



SL41

SL41 Solar 60W/80W/100W
(Supplied With 10', 15', or 20' Pole)

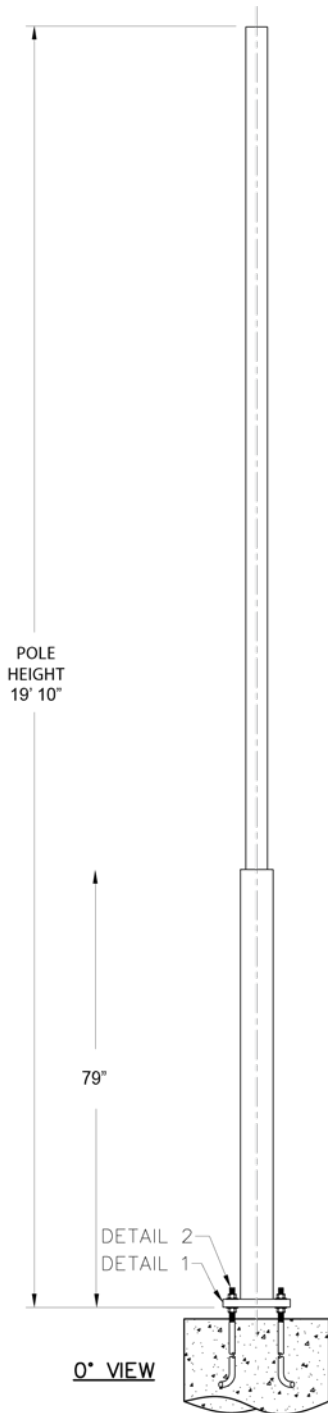


MATERIAL DATA	
COMPONENT	ASTM
POLE SHAFT	A595 GR. A
BASE PLATE	A36
ANCHOR BOLTS	F1554 GR. 36
MISC. STEEL	A563 GR. B

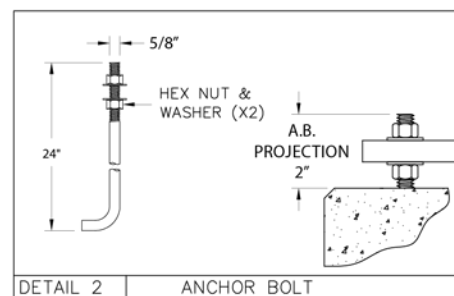
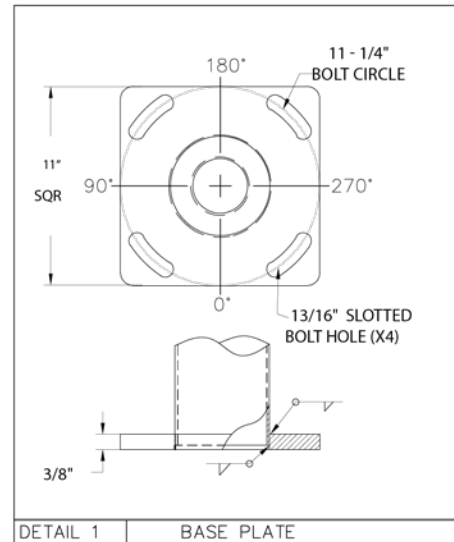
LOADING DATA	
DESIGN CRITERIA:	COMMERCIAL STANDARD
WIND SPEED (MPH) 1.3 GUST	80 90 100 110 120 130 140 150
EPA FT2	13.9 12.8 12.2 11.7 11.2 10.9 10.5 10.3
WIND FORCE (LBS)	181 211 236 265 307 363 424 490

POLE DIMENSION DATA				
POLE LENGTH (FT)	BASE DIAMETER (IN)	TOP DIAMETER (IN)	GAUGE OR THICKNESS (IN)	WEIGHT (LBS)
19' 10"	4 - 1/2"	3	9-GA (3/16")	90

Solar illuminations poles are engineered according to AASHTO standards and accepted commercial criteria. Proper selection for an application is based on information such as EPA, wind zone, mounting height, and product attachments. This information is necessary to ensure correct engineering. Solar illuminations assumes no responsibility for proper loading analysis and/or product selections. Design information and selection guidance offered by solar illuminations customer support representatives is provided as general guidelines only. The customer remains solely responsible for proper selection of the light pole, luminaire, and/or related accessories that adhere to all applicable requirements, including (but not limited to) epa design criteria, job specifications, and engineering requirements. To ensure proper selection of the light pole, luminaire, accessories and/or foundation, solar illuminations recommends the customer consult a qualified engineer to analyze the loading and design criteria for the specific application.



20' Standard Light Pole Steel Galvanized / Painted Anchor Base



Worldwide*
Shipping

Lowest Price*
Guarantee

Lifetime*
Tech Support

24 Month*
Product Warranty

No Hassle*
Returns

9120 Centerlinks Commerce Dr - Ste 3 • Fort Myers • FL • 33912 • USA • Phone: 239-461-5522 • Fax: 239-337-7887

MONDAY - FRIDAY 8:00AM - 8:00PM (US EASTERN TIME)

www.solarilluminations.com • sales@solarilluminations.com

*SUBJECT TO OUR TERMS & CONDITIONS, AND RETURNS POLICY