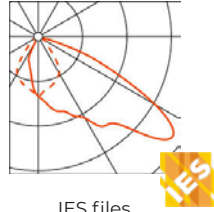
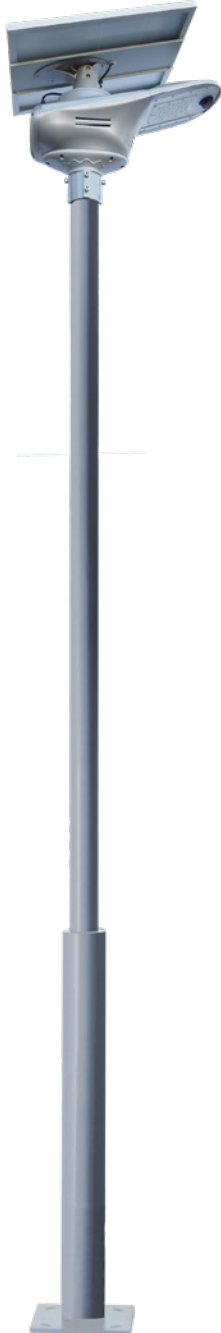
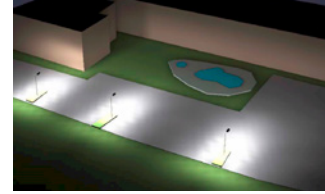


SL33

Solar 20W LED Street, Parking Lot, Area Light
(Supplied With 10', 15', or 20' Pole)



IES files available upon request



Complete 3D lighting renderings available for your application.

This all-in-two, integrated style, solar powered area light fixture has a very unique feature which enables the installer to set the orientation and angle of the solar panel to suit the geographic location of the site completely irrespective of the direction of the luminaire. This is a very important and valuable feature because it allows the solar panel to face directly south (as it should do in North America) and be set at an approximate 30~60 degree angle (as it should be in North America). Ideal for small streets, parking lots, parks, arenas, storage facilities, recreational areas, walking & jogging trails and general area lighting applications.

This unique, stand-alone, self-contained light fixture offers 20W LED power (using Cree LEDs) and provides up to 4,200 lumens. It provides a powerful white lighting (CCT 6,000k) with Type III distribution. It also incorporates a microwave motion sensor which can be used with some modes. It's designed to attach to the top of a 3" O.D round pole, post or other diameters using an optional tenon adaptor. It can also be configured to attach to the side of a pole using an optional support arm. Choice of a gray 10', 15', or 20' galvanized steel pole is included. Supplied with a powerful 120W solar panel and internal, pre-installed, high capacity (27AH) LiFePO4 lithium battery. This light fixture has three different operational modes. The installer or user can select the desired mode using the remote control included.

The default mode is automatic illumination at dusk at 20% output (840lm) with 100% output (4,200lm) upon motion detection.

Another mode to choose from is 100% output (4,200lm) at dusk for the first two hours, then 50% output (2,100lm) for a further two hours, then off but with 100% output (4,200lm) upon motion detection.

The other mode is 100% output (4,200lm) at dusk for the first two hours, then 40% output (1,680lm) for the next three hours, then 20% output (840lm) for a further two hours, then off.

PLEASE NOTE: CUSTOM OPERATIONAL MODES ARE AVAILABLE BY SPECIAL ORDER.

Worldwide* Shipping

Lowest Price* Guarantee

Lifetime* Tech Support

24 Month* Product Warranty

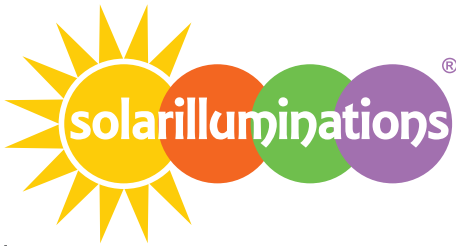
No Hassle* Returns

9120 Centerlinks Commerce Drive • Unit 3 • Fort Myers • Florida • 33912 • USA • Telephone: 239-461-5522

MONDAY - FRIDAY 8:00AM - 8:00PM (US EASTERN TIME)

www.solarilluminations.com • sales@solarilluminations.com

*SUBJECT TO OUR TERMS & CONDITIONS, AND RETURNS POLICY



SL33

Solar 20W LED Street, Parking Lot, Area Light
(Supplied With 10', 15', or 20' Pole)



LUMINAIRE

- A microwave motion sensor is built into the light fixture (operational when motion detector modes are selected).
- Motion sensor detection range (at ground level) is up to 50' (15m) forward, up to 25' (7.5m) each side with up to a 90 degree angle, subject to mounting height.
- The luminaire is fitted with multiple Cree® LEDs which have a color temperature (CCT) of 6,000k.
- 20W LED power (up to 4,200 lumens).
- Type III distribution (wide lighting area).
- Gray powder coated finish (RAL 7040).
- Choice of three operational modes.
- Remote control included.
- Dimensions approx. 29"x 11"x2"~12" (74cmx28cmx5~30cm) LxWxD.

SOLAR PANEL

- Powerful 120W 18V DC solar panel included.
- Aluminium framed, monocrystalline type.
- Unique, fully adjustable, 360 degree rotation and tilt capabilities.
- The supplied mounting hardware enables the solar panel to attach to the top of the luminaire.



POLE

- Choice of a 10' (3m), 15' (4.5m) or 20' (6m) galvanized steel pole.
- Other pole heights available by special order.
- Gray or black painted finish.
- The pole has a square flange base plate with pre-drilled holes.
- Pole is supplied with necessary J-bolt anchor kit/template.

BATTERY

- Pre-installed high capacity lithium (LiFePO4) battery.
- Replaceable battery has life expectancy of up to approx. 8 years.
- Voltage 12.8V. Capacity 27AH.

CHARGE CONTROLLER

- An integral MPPT charge controller is included and pre-installed.
- The system has built-in charge control regulation with over-charge and discharge protection.
- Automatic light activation at dusk (integrated photocell).

Worldwide*
Shipping

Lowest Price*
Guarantee

Lifetime*
Tech Support

24 Month*
Product Warranty

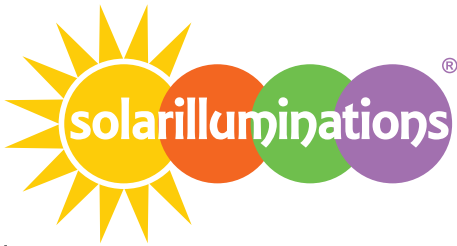
No Hassle*
Returns

9120 Centerlinks Commerce Drive • Unit 3 • Fort Myers • Florida • 33912 • USA • Telephone: 239-461-5522

MONDAY - FRIDAY 8:00AM - 8:00PM (US EASTERN TIME)

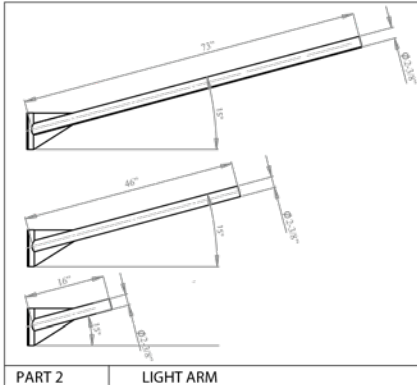
www.solarilluminations.com • sales@solarilluminations.com

*SUBJECT TO OUR TERMS & CONDITIONS, AND RETURNS POLICY



SL33

Solar 20W LED Street, Parking Lot, Area Light
(Supplied With 10', 15', or 20' Pole)

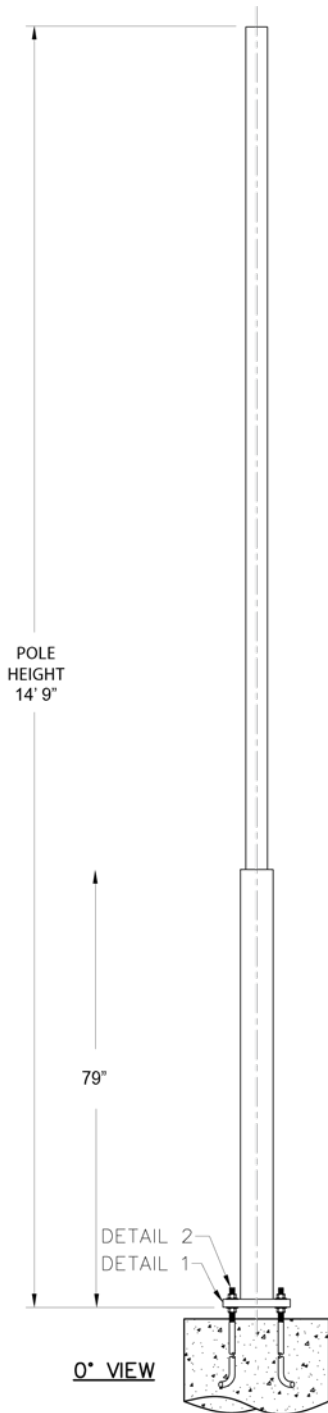


MATERIAL DATA	
COMPONENT	ASTM
POLE SHAFT	A595 GR. A
BASE PLATE	A36
ANCHOR BOLTS	F1554 GR. 36
MISC. STEEL	A563 GR. B

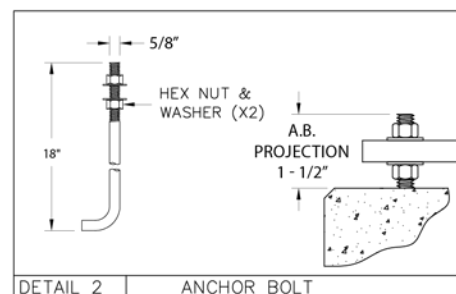
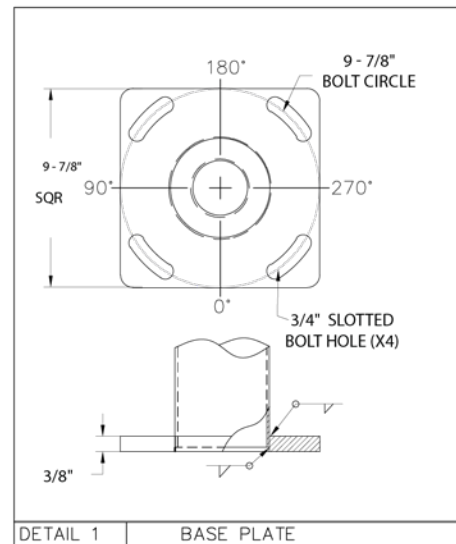
LOADING DATA	
DESIGN CRITERIA:	COMMERCIAL STANDARD
WIND SPEED (MPH) 1.3 GUST	80 90 100 110 120 130 140 150
EPA FT2	12.5 11.3 10.4 9.9 9.3 8.9 8.6 8.4
WIND FORCE (LBS)	125 146 163 183 213 252 294 340

POLE DIMENSION DATA				
POLE LENGTH (FT)	BASE DIAMETER (IN)	TOP DIAMETER (IN)	GAUGE OR THICKNESS (IN)	WEIGHT (LBS)
14' 9"	4 - 1/2"	3	12-GA (1/8")	75

Solar illuminations poles are engineered according to AASHTO standards and accepted commercial criteria. Proper selection for an application is based on information such as EPA, wind zone, mounting height, and product attachments. This information is necessary to ensure correct engineering. Solar illuminations assumes no responsibility for proper loading analysis and/or product selections. Design information and selection guidance offered by solar illuminations customer support representatives is provided as general guidelines only. The customer remains solely responsible for proper selection of the light pole, luminaire, and/or related accessories that adhere to all applicable requirements, including (but not limited to) epa design criteria, job specifications, and engineering requirements. To ensure proper selection of the light pole, luminaire, accessories and/or foundation, solar illuminations recommends the customer consult a qualified engineer to analyze the loading and design criteria for the specific application.



15' Standard Light Pole Steel Galvanized / Painted Anchor Base



Worldwide*
Shipping

Lowest Price*
Guarantee

Lifetime*
Tech Support

24 Month*
Product Warranty

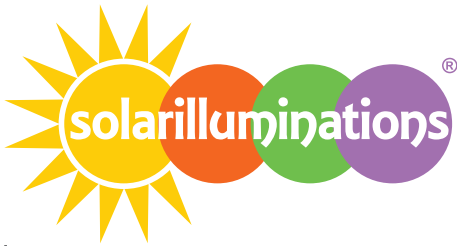
No Hassle*
Returns

9120 Centerlinks Commerce Drive • Unit 3 • Fort Myers • Florida • 33912 • USA • Telephone: 239-461-5522

MONDAY - FRIDAY 8:00AM - 8:00PM (US EASTERN TIME)

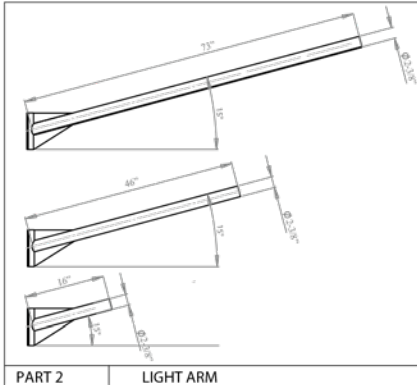
www.solarilluminations.com • sales@solarilluminations.com

*SUBJECT TO OUR TERMS & CONDITIONS, AND RETURNS POLICY



SL33

Solar 20W LED Street, Parking Lot, Area Light
(Supplied With 10', 15', or 20' Pole)

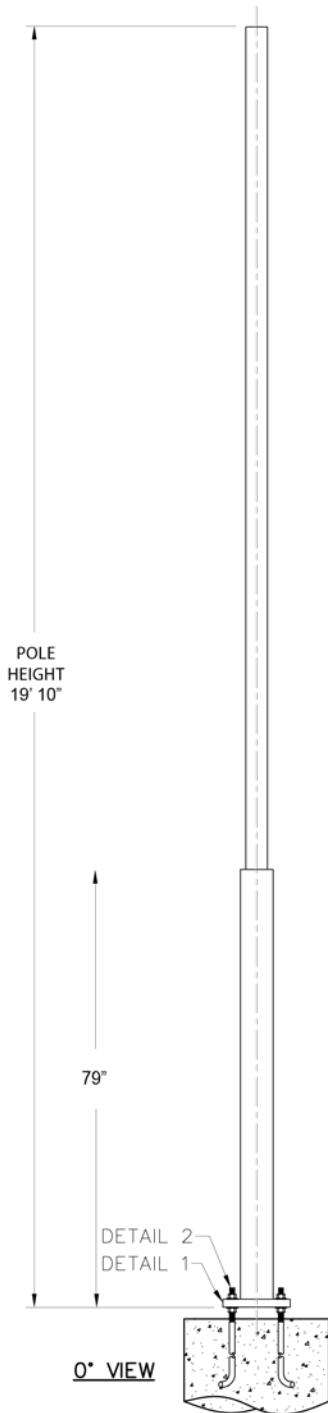


MATERIAL DATA	
COMPONENT	ASTM
POLE SHAFT	A595 GR. A
BASE PLATE	A36
ANCHOR BOLTS	F1554 GR. 36
MISC. STEEL	A563 GR. B

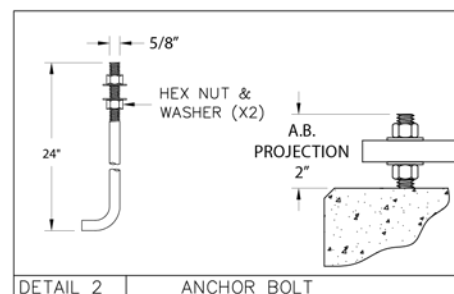
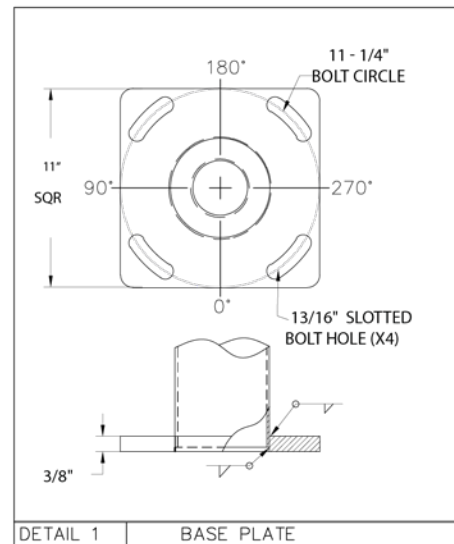
LOADING DATA	
DESIGN CRITERIA:	COMMERCIAL STANDARD
WIND SPEED (MPH) 1.3 GUST	80 90 100 110 120 130 140 150
EPA FT2	13.9 12.8 12.2 11.7 11.2 10.9 10.5 10.3
WIND FORCE (LBS)	181 211 236 265 307 363 424 490

POLE DIMENSION DATA				
POLE LENGTH (FT)	BASE DIAMETER (IN)	TOP DIAMETER (IN)	GAUGE OR THICKNESS (IN)	WEIGHT (LBS)
19' 10"	4 - 1/2"	3	9-GA (3/16")	90

Solar illuminations poles are engineered according to AASHTO standards and accepted commercial criteria. Proper selection for an application is based on information such as EPA, wind zone, mounting height, and product attachments. This information is necessary to ensure correct engineering. Solar illuminations assumes no responsibility for proper loading analysis and/or product selections. Design information and selection guidance offered by solar illuminations customer support representatives is provided as general guidelines only. The customer remains solely responsible for proper selection of the light pole, luminaire, and/or related accessories that adhere to all applicable requirements, including (but not limited to) epa design criteria, job specifications, and engineering requirements. To ensure proper selection of the light pole, luminaire, accessories and/or foundation, solar illuminations recommends the customer consult a qualified engineer to analyze the loading and design criteria for the specific application.



20' Standard Light Pole Steel Galvanized / Painted Anchor Base



Worldwide*
Shipping

Lowest Price*
Guarantee

Lifetime*
Tech Support

24 Month*
Product Warranty

No Hassle*
Returns

9120 Centerlinks Commerce Drive • Unit 3 • Fort Myers • Florida • 33912 • USA • Telephone: 239-461-5522

MONDAY - FRIDAY 8:00AM - 8:00PM (US EASTERN TIME)

www.solarilluminations.com • sales@solarilluminations.com

*SUBJECT TO OUR TERMS & CONDITIONS, AND RETURNS POLICY