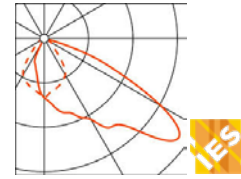


# SL29

Solar 20W / 30W / 40W LED Area Light  
(Supplied With 10', 15', or 20' Pole)



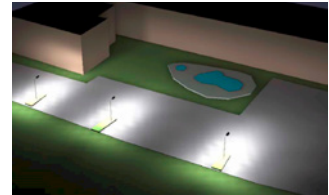
Dark Sky Compliant. Full cut-off optics. Asymmetric optical technology ensuring the LED light output is directed forwards (downwards).



IES and lighting distribution data available for 20W, 30W, and 40W Models.



Utilizes super-efficient high-output SMD LED technology.



Complete 3D lighting renderings available for your application.

This compact, solar powered, all-in-one, integrated area light is offered with a 20 Watt, 30 Watt, or 40 Watt LED power along with your choice of either a 10', 15', or 20' pole. Custom height poles are also available by special order. This fixture is supplied with an IR remote control. The remote control enables the user or installer to select from several pre-programmed operational modes and dimming options. This fixture features a solar panel that is discretely incorporated into the entire top section. The underside of the fixture is fitted with multiple, powerful LEDs and a motion sensor.



Worldwide\*  
Shipping

Lowest Price\*  
Guarantee

Lifetime\*  
Tech Support

24 Month\*  
Product Warranty

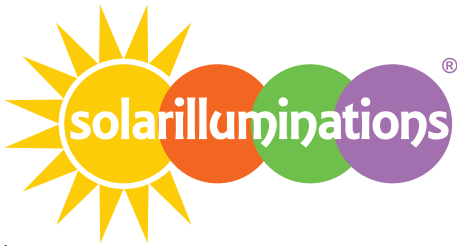
No Hassle\*  
Returns

9120 Centerlinks Commerce Drive • Unit 3 • Fort Myers • Florida • 33912 • USA • Telephone: 239-461-5522

MONDAY - FRIDAY 8:00AM - 8:00PM (US EASTERN TIME)

www.solarilluminations.com • sales@solarilluminations.com

\*SUBJECT TO OUR TERMS & CONDITIONS, AND RETURNS POLICY



## SL29

Solar 20W / 30W / 40W LED Area Light  
(Supplied With 10', 15', or 20' Pole)



### LUMINAIRE

- At full power the 20W lamp emits 2,600 lm, 30W emits 3,900 lm, and the 40W emits 5,200 lm
- 5,500~6,000K LED color temperature
- Dark Sky Compliant with full cut-off optics
- Aluminum construction
- IP65 weather resistant rating
- Dimensions approx. 45" x 13" x 2" (115cm x 33cm x 5cm)

### SOLAR PANEL

- 20W version is supplied with a 50 Watt solar panel
- 30W and 40W versions are supplied with a 60 Watt solar panel
- Glass covered solar panel is built in to the top of the fixture

### POLE

- 10' (3M), 15' (4.5M) or 20' (6M) galvanized steel pole
- Custom pole heights are also available by special order
- Available in a black or gray painted finish
- 10' & 15' pole is fitted with an approx. 10" x 10" base plate
- 20' pole is fitted with an approx. 12." x 12" base plate
- Pole is supplied with j-bolt anchor & template kit

### BATTERY

- Lithium battery pack pre-installed within the fixture
- Battery is replaceable

### CHARGE CONTROL

- Internal battery over-charge and discharge protection
- Automatic light activation at dusk and off at dawn



Worldwide\*  
Shipping

Lowest Price\*  
Guarantee

Lifetime\*  
Tech Support

24 Month\*  
Product Warranty

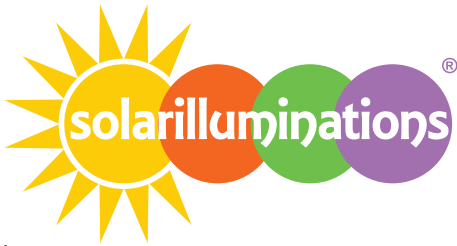
No Hassle\*  
Returns

9120 Centerlinks Commerce Drive • Unit 3 • Fort Myers • Florida • 33912 • USA • Telephone: 239-461-5522

MONDAY - FRIDAY 8:00AM - 8:00PM (US EASTERN TIME)

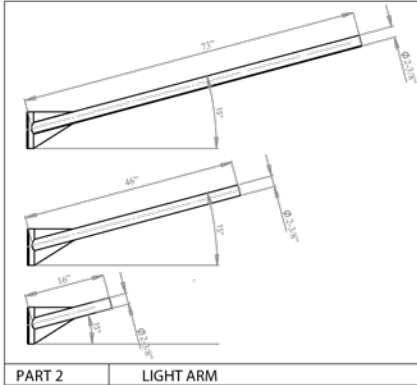
www.solarilluminations.com • sales@solarilluminations.com

\*SUBJECT TO OUR TERMS & CONDITIONS, AND RETURNS POLICY



# SL29

Solar 20W / 30W / 40W LED Area Light  
(Supplied With 10', 15', or 20' Pole)

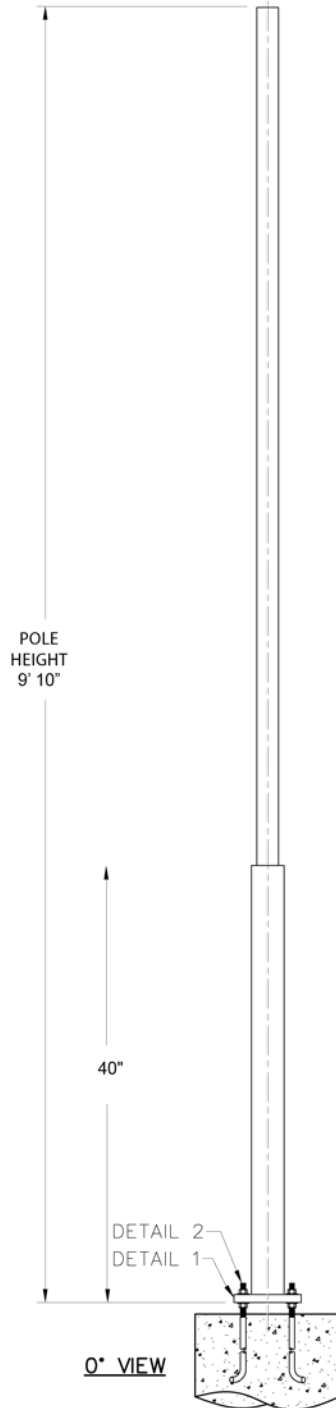


MATERIAL DATA	
COMPONENT	ASTM
POLE SHAFT	A595 GR. A
BASE PLATE	A36
ANCHOR BOLTS	F1554 GR. 36
MISC. STEEL	A563 GR. B

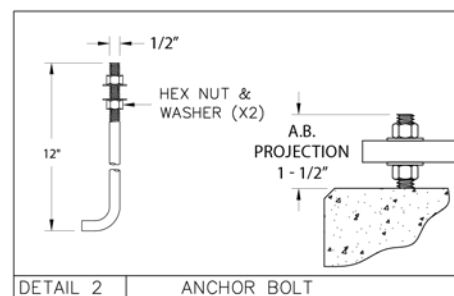
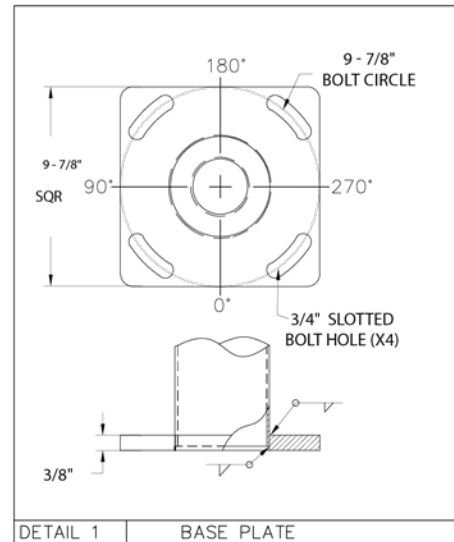
LOADING DATA	
DESIGN CRITERIA:	COMMERCIAL STANDARD
WIND SPEED (MPH) 1.3 GUST	80 90 100 110 120 130 140 150
EPA FT2	14.5 12.4 10.9 10.4 8.9 8.3 7.8 7.3
WIND FORCE (LBS)	67 79 88 99 115 135 158 183

POLE DIMENSION DATA				
POLE LENGTH (FT)	BASE DIAMETER (IN)	TOP DIAMETER (IN)	GAUGE OR THICKNESS (IN)	WEIGHT (LBS)
9' 10"	4 - 1/2"	3	12-GA (1/8")	45

Solar illuminations poles are engineered according to AASHTO standards and accepted commercial criteria. Proper selection for an application is based on information such as EPA, wind zone, mounting height, and product attachments. This information is necessary to ensure correct engineering. Solar illuminations assumes no responsibility for proper loading analysis and/or product selections. Design information and selection guidance offered by solar illuminations customer support representatives is provided as general guidelines only. The customer remains solely responsible for proper selection of the light pole, luminaire, and/or related accessories that adhere to all applicable requirements, including (but not limited to) epa design criteria, job specifications, and engineering requirements. To ensure proper selection of the light pole, luminaire, accessories and/or foundation, solar illuminations recommends the customer consult a qualified engineer to analyze the loading and design criteria for the specific application.



## 10' Standard Light Pole Steel Galvanized / Painted Anchor Base



**Worldwide\***  
Shipping

**Lowest Price\***  
Guarantee

**Lifetime\***  
Tech Support

**24 Month\***  
Product Warranty

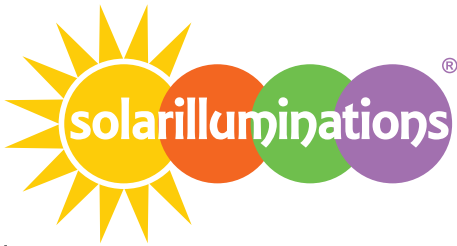
**No Hassle\***  
Returns

9120 Centerlinks Commerce Drive • Unit 3 • Fort Myers • Florida • 33912 • USA • Telephone: 239-461-5522

**MONDAY - FRIDAY 8:00AM - 8:00PM (US EASTERN TIME)**

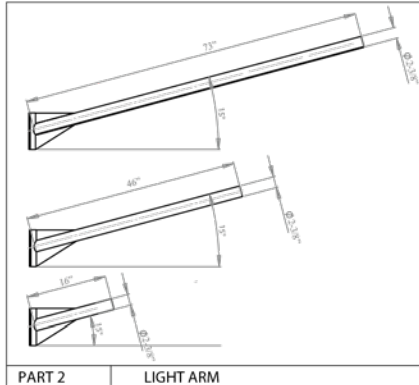
[www.solarilluminations.com](http://www.solarilluminations.com) • [sales@solarilluminations.com](mailto:sales@solarilluminations.com)

\*SUBJECT TO OUR TERMS & CONDITIONS, AND RETURNS POLICY



# SL29

Solar 20W / 30W / 40W LED Area Light  
(Supplied With 10', 15', or 20' Pole)

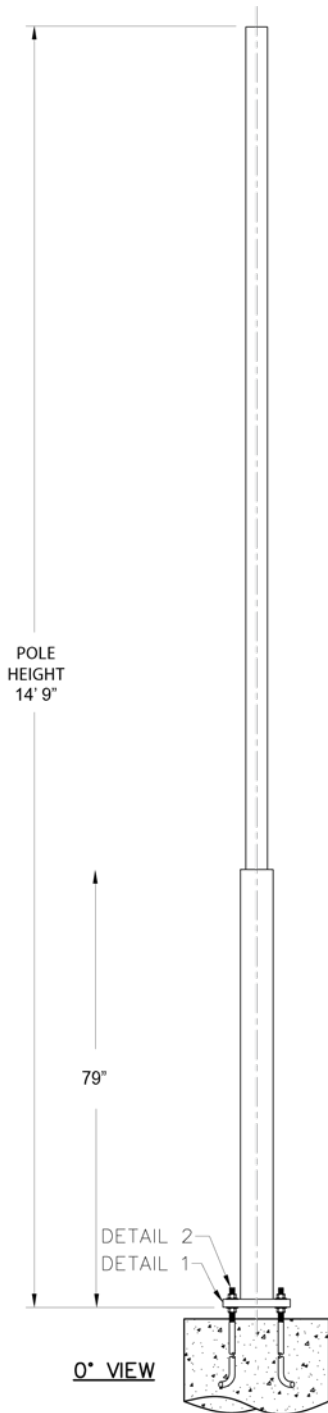


MATERIAL DATA	
COMPONENT	ASTM
POLE SHAFT	A595 GR. A
BASE PLATE	A36
ANCHOR BOLTS	F1554 GR. 36
MISC. STEEL	A563 GR. B

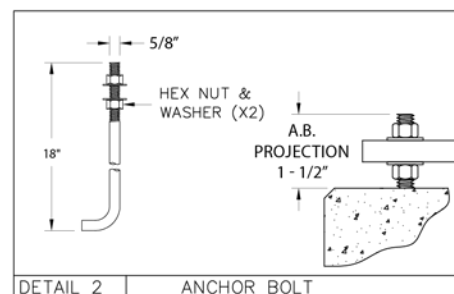
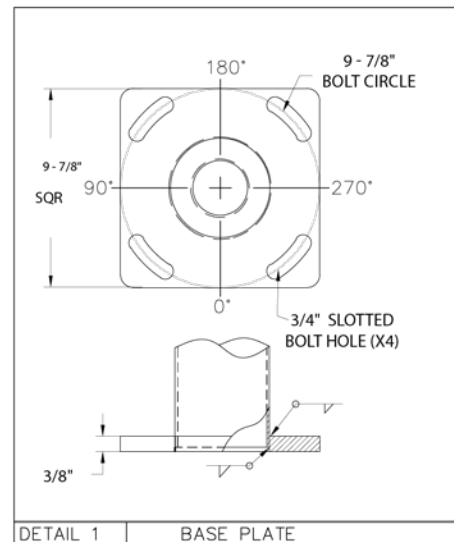
LOADING DATA	
DESIGN CRITERIA:	COMMERCIAL STANDARD
WIND SPEED (MPH) 1.3 GUST	80 90 100 110 120 130 140 150
EPA FT2	12.5 11.3 10.4 9.9 9.3 8.9 8.6 8.4
WIND FORCE (LBS)	125 146 163 183 213 252 294 340

POLE DIMENSION DATA				
POLE LENGTH (FT)	BASE DIAMETER (IN)	TOP DIAMETER (IN)	GAUGE OR THICKNESS (IN)	WEIGHT (LBS)
14' 9"	4 - 1/2"	3	12-GA (1/8")	75

Solar illuminations poles are engineered according to AASHTO standards and accepted commercial criteria. Proper selection for an application is based on information such as EPA, wind zone, mounting height, and product attachments. This information is necessary to ensure correct engineering. Solar illuminations assumes no responsibility for proper loading analysis and/or product selections. Design information and selection guidance offered by solar illuminations customer support representatives is provided as general guidelines only. The customer remains solely responsible for proper selection of the light pole, luminaire, and/or related accessories that adhere to all applicable requirements, including (but not limited to) epa design criteria, job specifications, and engineering requirements. To ensure proper selection of the light pole, luminaire, accessories and/or foundation, solar illuminations recommends the customer consult a qualified engineer to analyze the loading and design criteria for the specific application.



## 15' Standard Light Pole Steel Galvanized / Painted Anchor Base



**Worldwide\***  
Shipping

**Lowest Price\***  
Guarantee

**Lifetime\***  
Tech Support

**24 Month\***  
Product Warranty

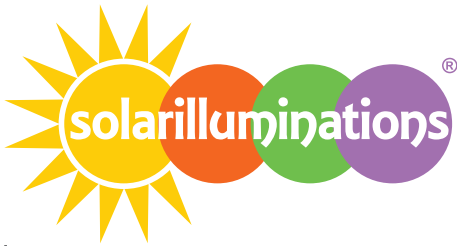
**No Hassle\***  
Returns

9120 Centerlinks Commerce Drive • Unit 3 • Fort Myers • Florida • 33912 • USA • Telephone: 239-461-5522

**MONDAY - FRIDAY 8:00AM - 8:00PM (US EASTERN TIME)**

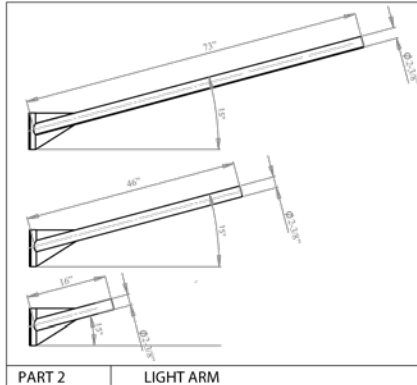
[www.solarilluminations.com](http://www.solarilluminations.com) • [sales@solarilluminations.com](mailto:sales@solarilluminations.com)

\*SUBJECT TO OUR TERMS & CONDITIONS, AND RETURNS POLICY



# SL29

Solar 20W / 30W / 40W LED Area Light  
(Supplied With 10', 15', or 20' Pole)

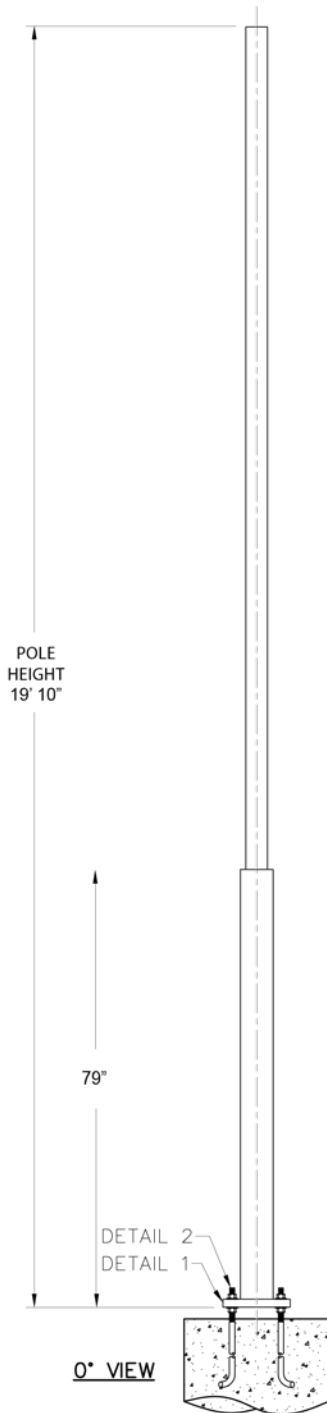


MATERIAL DATA	
COMPONENT	ASTM
POLE SHAFT	A595 GR. A
BASE PLATE	A36
ANCHOR BOLTS	F1554 GR. 36
MISC. STEEL	A563 GR. B

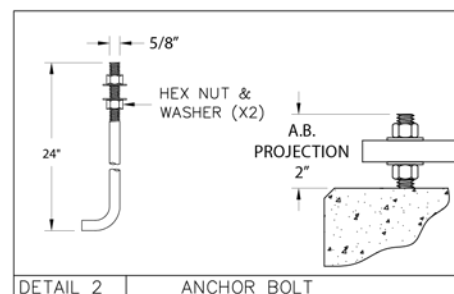
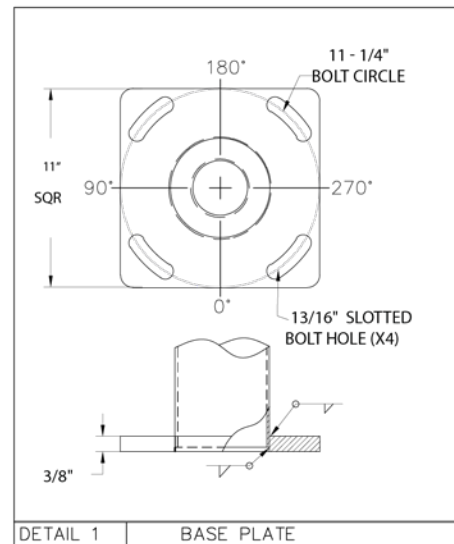
LOADING DATA	
DESIGN CRITERIA:	COMMERCIAL STANDARD
WIND SPEED (MPH) 1.3 GUST	80 90 100 110 120 130 140 150
EPA FT2	13.9 12.8 12.2 11.7 11.2 10.9 10.5 10.3
WIND FORCE (LBS)	181 211 236 265 307 363 424 490

POLE DIMENSION DATA				
POLE LENGTH (FT)	BASE DIAMETER (IN)	TOP DIAMETER (IN)	GAUGE OR THICKNESS (IN)	WEIGHT (LBS)
19' 10"	4 - 1/2"	3	9-GA (3/16")	90

Solar illuminations poles are engineered according to AASHTO standards and accepted commercial criteria. Proper selection for an application is based on information such as EPA, wind zone, mounting height, and product attachments. This information is necessary to ensure correct engineering. Solar illuminations assumes no responsibility for proper loading analysis and/or product selections. Design information and selection guidance offered by solar illuminations customer support representatives is provided as general guidelines only. The customer remains solely responsible for proper selection of the light pole, luminaire, and/or related accessories that adhere to all applicable requirements, including (but not limited to) epa design criteria, job specifications, and engineering requirements. To ensure proper selection of the light pole, luminaire, accessories and/or foundation, solar illuminations recommends the customer consult a qualified engineer to analyze the loading and design criteria for the specific application.



## 20' Standard Light Pole Steel Galvanized / Painted Anchor Base



**Worldwide\***  
Shipping

**Lowest Price\***  
Guarantee

**Lifetime\***  
Tech Support

**24 Month\***  
Product Warranty

**No Hassle\***  
Returns

9120 Centerlinks Commerce Drive • Unit 3 • Fort Myers • Florida • 33912 • USA • Telephone: 239-461-5522

MONDAY - FRIDAY 8:00AM - 8:00PM (US EASTERN TIME)

www.solarilluminations.com • sales@solarilluminations.com

\*SUBJECT TO OUR TERMS & CONDITIONS, AND RETURNS POLICY